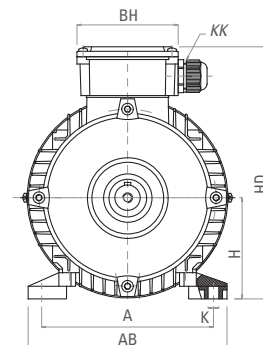
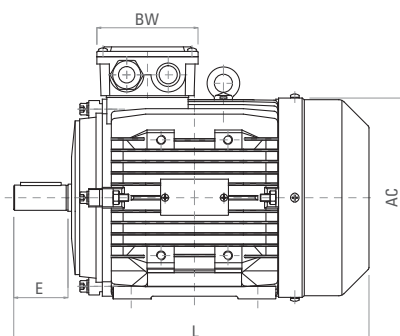
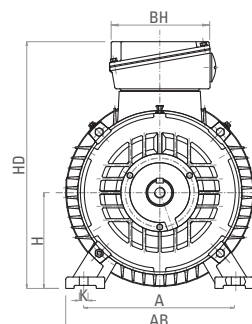
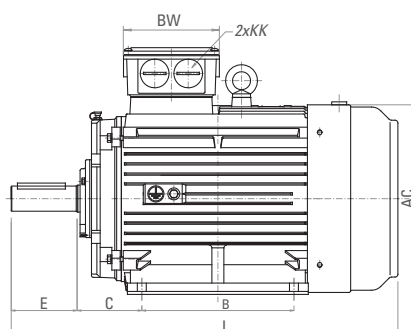


### ◆ 8.4 6P 6V / 7P 7V doppia polarità / double polarity motor

71-132 B3



160-280 B3



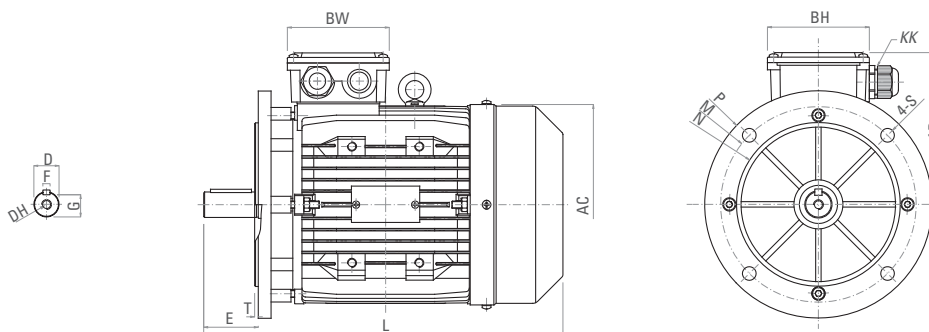
B3

	A	AB	B	C	K	AC	HD	D	DH	E	F	G	H	KK	L	BW	BH
<b>71-132 B3</b>																	
71	112	132	90	45	7X10	145	183	14	M5X12	30	5	11	71	M20X1.5	255	94	94
80	125	160	100	50	10X10	165	212	19	M6X16	40	6	15.5	80	M20X1.5	290	105	105
90S	140	175	100	56	10X13	185	230	24	M8X20	50	8	20	90	M20X1.5	312	105	105
90L	140	175	125	56	10X13	185	230	24	M8X20	50	8	20	90	M20X1.5	337	105	105
100L	160	196	140	63	12X16	205	250	28	M10X22	60	8	24	100	M20X1.5	365	105	105
112	190	220	140	70	12X16	230	286	28	M10X22	60	8	24	112	M25X1.5	387	112	112
132S	216	252	140	89	12X16	270	319	38	M12X28	80	10	33	132	M25X1.5	436	112	112
132M	216	252	178	89	12X16	270	319	38	M12X28	80	10	33	132	M25X1.5	475	112	112
<b>160-280 B3</b>																	
160M	254	320	210	108	14X19	330	425	42	M16X36	110	12	37	160	M32X1.5	605	150	180
160L	254	320	254	108	14X19	330	425	42	M16X36	110	12	37	160	M32X1.5	650	150	180
180M	279	350	241	121	14X19	380	460	48	M16X36	110	14	42.5	180	M32X1.5	675	150	180
180L	279	350	279	121	14X19	380	460	48	M16X36	110	14	42.5	180	M32X1.5	715	150	180
200L	318	395	305	133	18X25	420	515	55	M20X42	110	16	49	200	M40X1.5	765	180	215
225S	356	436	286	149	18X25	465	560	60	M20X42	140	18	53	225	M40X1.5	820	180	215
225M	356	436	311	149	18X25	465	560	60	M20X42	140	18	53	225	M40X1.5	845	180	215
250M	406	495	349	168	24X33	520	625	65	M20X42	140	18	58	250	M50X1.5	930	215	260
280S	457	550	368	190	24X33	570	685	75	M20X42	140	20	67.5	280	M50X1.5	975	215	260
280M	457	550	419	190	24X33	570	685	75	M20X42	140	20	67.5	280	M50X1.5	1015	215	260

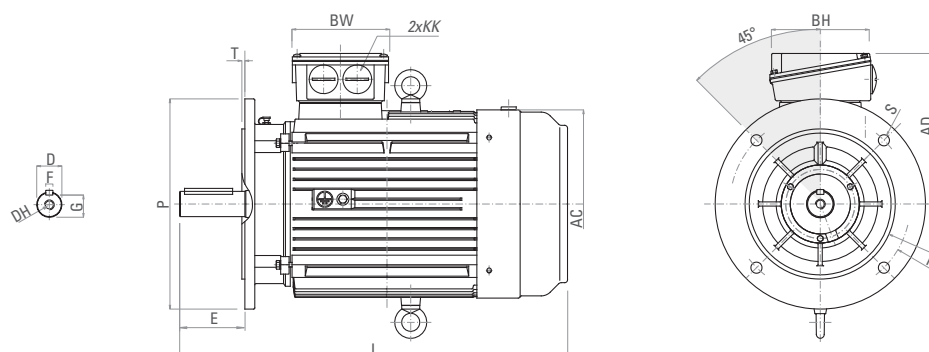
Dati tecnici e caratteristiche possono subire variazioni / Technical data and performances may change

71÷280

71-132 B5



160-280 B5



B5

	P	M	N	S	T	AC	AD	D	DH	E	F	G	H	KK	L	BW	BH
<b>71-132 B5</b>																	
71	160	130	110	10	3.5	145	112	14	M5X12	30	5	11	71	M20X1.5	255	94	94
80	200	165	130	12	3.5	165	132	19	M6X16	40	6	15.5	80	M20X1.5	290	105	105
90S	200	165	130	12	3.5	185	140	24	M8X20	50	8	20	90	M20X1.5	312	105	105
90L	200	165	130	12	3.5	185	140	24	M8X20	50	8	20	90	M20X1.5	337	105	105
100L	250	215	180	15	4	205	150	28	M10X22	60	8	24	100	M20X1.5	365	105	105
112	250	215	180	15	4	230	174	28	M10X22	60	8	24	112	M25X1.5	387	112	112
132S	300	265	230	15	4	270	187	38	M12X28	80	10	33	132	M25X1.5	436	112	112
132M	300	265	230	15	4	270	187	38	M12X28	80	10	33	132	M25X1.5	475	112	112
<b>160-280 B5</b>																	
160M	350	300	250	18.5	5	330	265	42	M16X36	110	12	37	160	M32X1.5	605	150	180
160L	350	300	250	18.5	5	330	265	42	M16X36	110	12	37	160	M32X1.5	650	150	180
180M	350	300	250	18.5	5	380	280	48	M16X36	110	14	42.5	180	M32X1.5	675	150	180
180L	350	300	250	18.5	5	380	280	48	M16X36	110	14	42.5	180	M32X1.5	715	150	180
200L	400	350	300	18.5	5	420	315	55	M20X42	110	16	49	200	M40X1.5	765	180	215
225S	450	400	350	18.5	5	465	335	60	M20X42	140	18	53	225	M40X1.5	820	180	215
225M	450	400	350	18.5	5	465	335	60	M20X42	140	18	53	225	M40X1.5	845	180	215
250M	550	500	450	18.5	5	520	375	65	M20X42	140	18	58	250	M50X1.5	930	215	260
280S	550	500	450	18.5	5	570	405	75	M20X42	140	20	67.5	280	M50X1.5	975	215	260
280M	550	500	450	18.5	5	570	405	75	M20X42	140	20	67.5	280	M50X1.5	1015	215	260

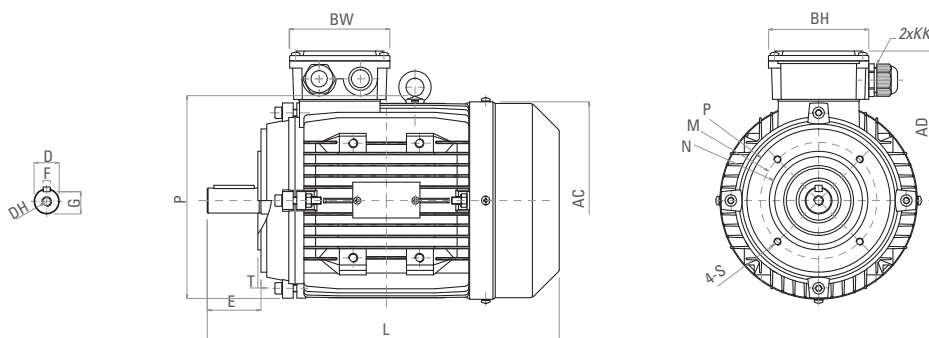
Nota: dal MEC225 incluso in su, la flangia B5 ha 8 fori di fissaggio.  
Dati tecnici e caratteristiche possono subire variazioni

Note: from MEC225 included onwards, the B5 flange has 8 mounting holes  
Technical data and performances may change

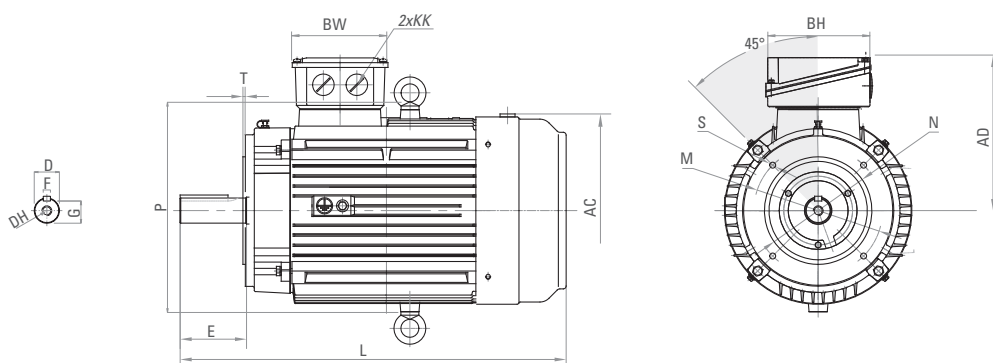
6P 6V / 7P 7V doppia polarità / *double polarity motor*

71÷160

71-132 B14



160 B14



## B14

	P	M	N	S	T	AC	AD	D	DH	E	F	G	H	KK	L	BW	BH
<b>71-132 B14</b>																	
71	105	85	70	M6	2.5	145	112	14	M5X12	30	5	11	71	M20X1.5	255	94	94
80	120	100	80	M6	3	165	132	19	M6X16	40	6	15.5	80	M20X1.5	290	105	105
90S	140	115	95	M8	3	185	140	24	M8X20	50	8	20	90	M20X1.5	312	105	105
90L	140	115	95	M8	3	185	140	24	M8X20	50	8	20	90	M20X1.5	337	105	105
100L	160	130	110	M8	3.5	205	150	28	M10X22	60	8	24	100	M20X1.5	365	105	105
112	160	130	110	M8	3.5	230	174	28	M10X22	60	8	24	112	M25X1.5	387	112	112
132S	200	165	130	M10	3.5	270	187	38	M12X28	80	10	33	132	M25X1.5	436	112	112
132M	200	165	130	M10	3.5	270	187	38	M12X28	80	10	33	132	M25X1.5	475	112	112
<b>160 B14</b>																	
160M	250	215	180	M12	4	330	265	42	M16X36	110	12	37	160	M32X1.5	605	150	180
160L	250	215	180	M12	4	330	265	42	M16X36	110	12	37	160	M32X1.5	650	150	180

**Nota:** Fino al MEC71 incluso la flangia B14 standard ha 8 fori di fissaggio.  
Dati tecnici e caratteristiche possono subire variazioni

**Note:** up to MEC71 included, the standard B14 flange has 8 mounting holes.  
Technical data and performances may change