



APPLICATION

RBH fans are used in exhaust systems.

Typical applications are from:

- supermarkets, industrial halls, workshops, warehouses
- garages, parking lots,
- outhouse.

CONSTRUCTION

- rotor welded aluminum sheet,
- housing are made of aluminum sheet, painted (RAL 9006),
- the fan has no connector,
- for installation on flat roofs,
- installation on sloping roofs after using appropriate roof bases.

MOTOR

- asynchronous, three-phase 230 / 400V 50Hz, 400V 50Hz or 400 / 690V 50Hz (depending on the motor power),
- insulation class F,
- protection class - IP55.

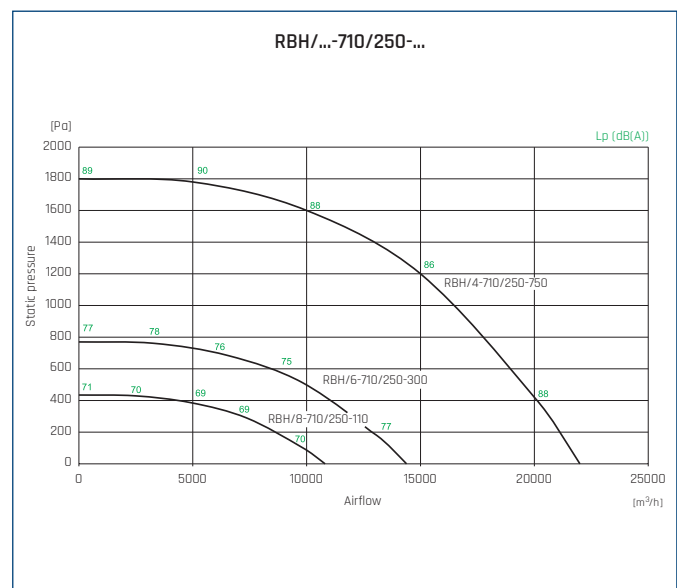
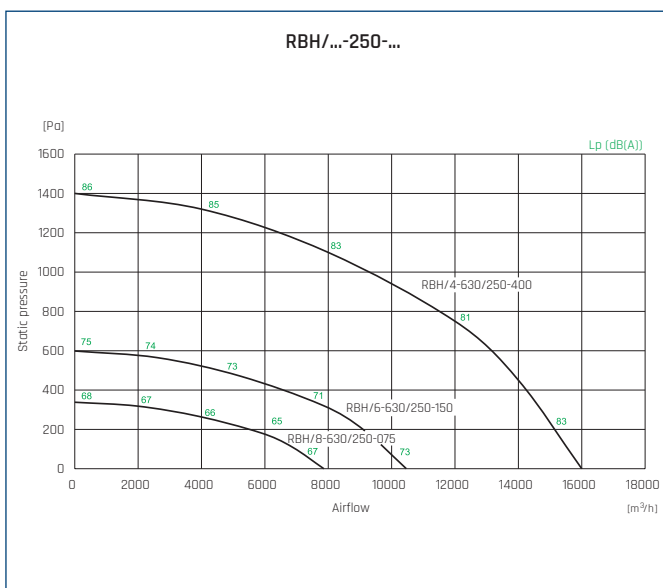


TECHNICAL CHARACTERISTICS

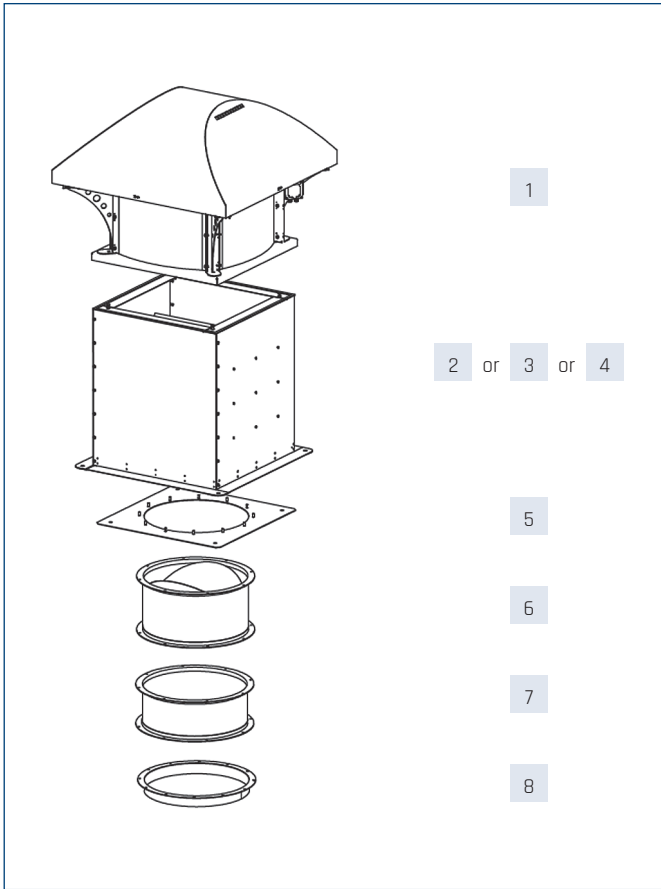
Type	airflow max	total pressure max	speed	voltage	maximum absorbed current	motor power	sound pressure level*	weight	article number
	[m³/h]	[Pa]	[r.p.m.]	[V]	[A]	[kW]	[dB(A)]	[kg]	
RBH/8-630/250-075T	7800	330	710	400	2,2	0,75	66	205	433521245
RBH/6-630/250-150T	10400	600	945	400	3,8	1,5	73	205	433521240
RBH/4-630/250-400T	16000	1400	1445	400	8,1	4	83	220	433521235
RBH/8-710/250-110T	10800	440	710	400	3,3	1,1	69	235	433521265
RBH/6-710/250-300T	14300	750	960	400	6,9	3	76	235	433521260
RBH/4-710/250-750T	22000	1800	1445	400	14,4	7,5	88	250	433521255

* measurement made at a distance of 3m from the outlet, for Q = 1/2 Qmax

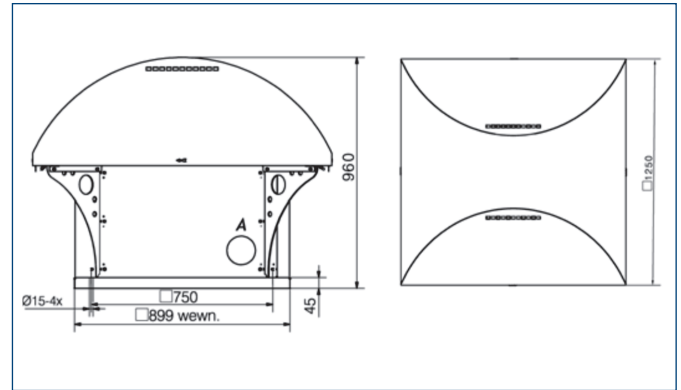
PERFORMANCE CURVES



ACCESSORY ASSEMBLY



DIMENSIONS [mm]

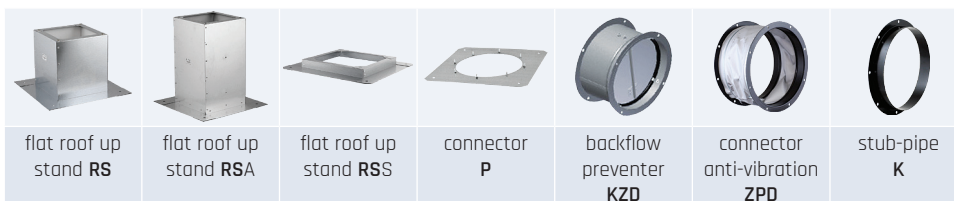


	1	2	3	4	5
Type		flat roof up stand	flat roof up stand	flat roof up stand	connector
		RSS	RS	RSA	P
RBH/x-630-xxx		RSS 905	RS 905	RSA 905	P 905
RBH/x-710-xxx		RSS 905	RS 905	RSA 905	P 905

	1	6	7	8
Type		backflow preventer	connector anti-vibration	stub-pipe
		KZD	ZPD	K
RBH/x-630-xxx		KZD 905	ZPD 905	K 905
RBH/x-710-xxx		KZD 905	ZPD 905	K 905

Article numbers

K 905	43526450	P 905	43526350	RSA 905	43526160	RSS 905	43526560	ZPD 905	43527450
KZD 905	43527350	RS 905	43526060						



ELECTRICAL ACCESSORIES

Type	inverter	service switch
RBH/8-630/250-075T	L 0,75 kW	R-S 3-F + SP, 10A
RBH/6-630/250-150T	L 1,5 kW	R-S 3-F + SP, 10A
RBH/4-630/250-400T	L 4,0 kW	R-S 3-F + SP, 10A
RBH/8-710/250-110T	L 1,5 kW	R-S 3-F + SP, 10A
RBH/6-710/250-300T	L 4,0 kW	R-S 3-F + SP, 10A
RBH/4-710/250-750T	L 7,5 kW	R-S 3-F + SP, 16A



Article numbers

R-S 3-F + SP, 10A	91040908-01
R-S 3-F + SP, 16A	91040908
L 0,75 kW	40016312
L 1,5 kW	40016322
L 2,2 kW	40016332
L 4,0 kW	40016352
L 7,5 kW	40016372
L 11,0 kW	40016383

ERP CHARACTERISTICS

NRVU*							
	Name	RBH/4-630/ 250-400T	RBH/6-630/ 250-150T	RBH/8-630/ 250-075T	RBH/4-710/ 250-750T	RBH/6-710/ 250-300T	RBH/8-710/ 250-110T
a	supplier name	VENTURE INDUSTRIES	VENTURE INDUSTRIES	VENTURE INDUSTRIES	VENTURE INDUSTRIES	VENTURE INDUSTRIES	VENTURE INDUSTRIES
b	article number	433521235	433521240	433521245	433521255	433521260	433521265
c	device category	NRVU	NRVU	NRVU	NRVU	NRVU	NRVU
c	device type	UVU	UVU	UVU	UVU	UVU	UVU
d	type of drive	variable speed drive	variable speed drive	variable speed drive	variable speed drive	variable speed drive	variable speed drive
e	type of heat recovery system	not applicable	not applicable	not applicable	not applicable	not applicable	not applicable
f	thermal efficiency of heat recovery [%]	not applicable	not applicable	not applicable	not applicable	not applicable	not applicable
g	reference flow rate in NRVU [m³/s]	2,81	1,54	1,51	4,05	2,62	1,98
h	electric power input (w kW)	4,042	1,48	0,744	7,633	2,24	1,73
i	SFPint W/(m³/s)	1437,58	959,65	494,26	1885,73	853,69	874,72
j	face velocity [m/s]	5,00	2,74	2,68	7,20	4,67	3,52
k	$\Delta p_{s, ext}$ (Pa)	300	420	892	1060	661	362
l	$\Delta p_{s, int}$ (Pa)	not applicable	not applicable	not applicable	not applicable	not applicable	not applicable
m	$\Delta p_{s, add}$ (Pa)	not applicable	not applicable	not applicable	not applicable	not applicable	not applicable
n	static efficiency of fans [%]	49,87	44,78	42,83	56,07	55,00	54,70
o	maximum external leakage rate [%]	0	0	0	0	0	0
p	energy performance	not applicable	not applicable	not applicable	not applicable	not applicable	not applicable
q	position of visual filter warning	not applicable	not applicable	not applicable	not applicable	not applicable	not applicable
r	L_{wa} dB(A)	83	73	66	88	76	69
s	internet address	www.ventur.eu	www.ventur.eu	www.ventur.eu	www.ventur.eu	www.ventur.eu	www.ventur.eu

* NRVU - "non-residential ventilation unit" - according to COMMISSION REGULATION (EU) No 1254/2014.